



SPARE PARTS CATALOGUE

ORDER NO. 110 006

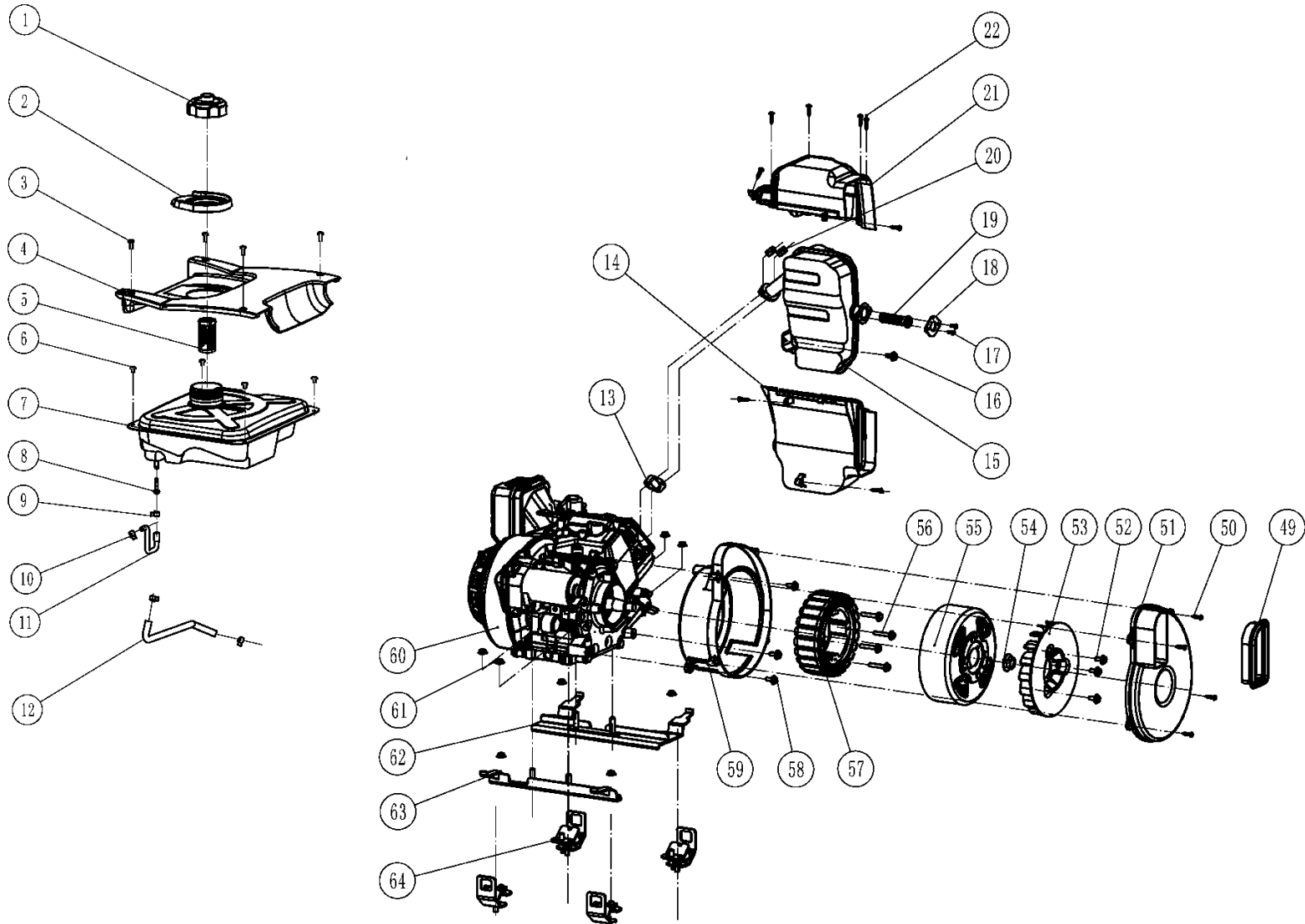
MODEL NAME: ESE 3000 I

PRODUCT OVERVIEW

ACCESSORIES				SPECIAL-PURPOSE EQUIPMENT			
ORDER NO.	DESCRIPTION	PAGE	REMARKS	ORDER NO.	DESCRIPTION	PAGE	REMARKS

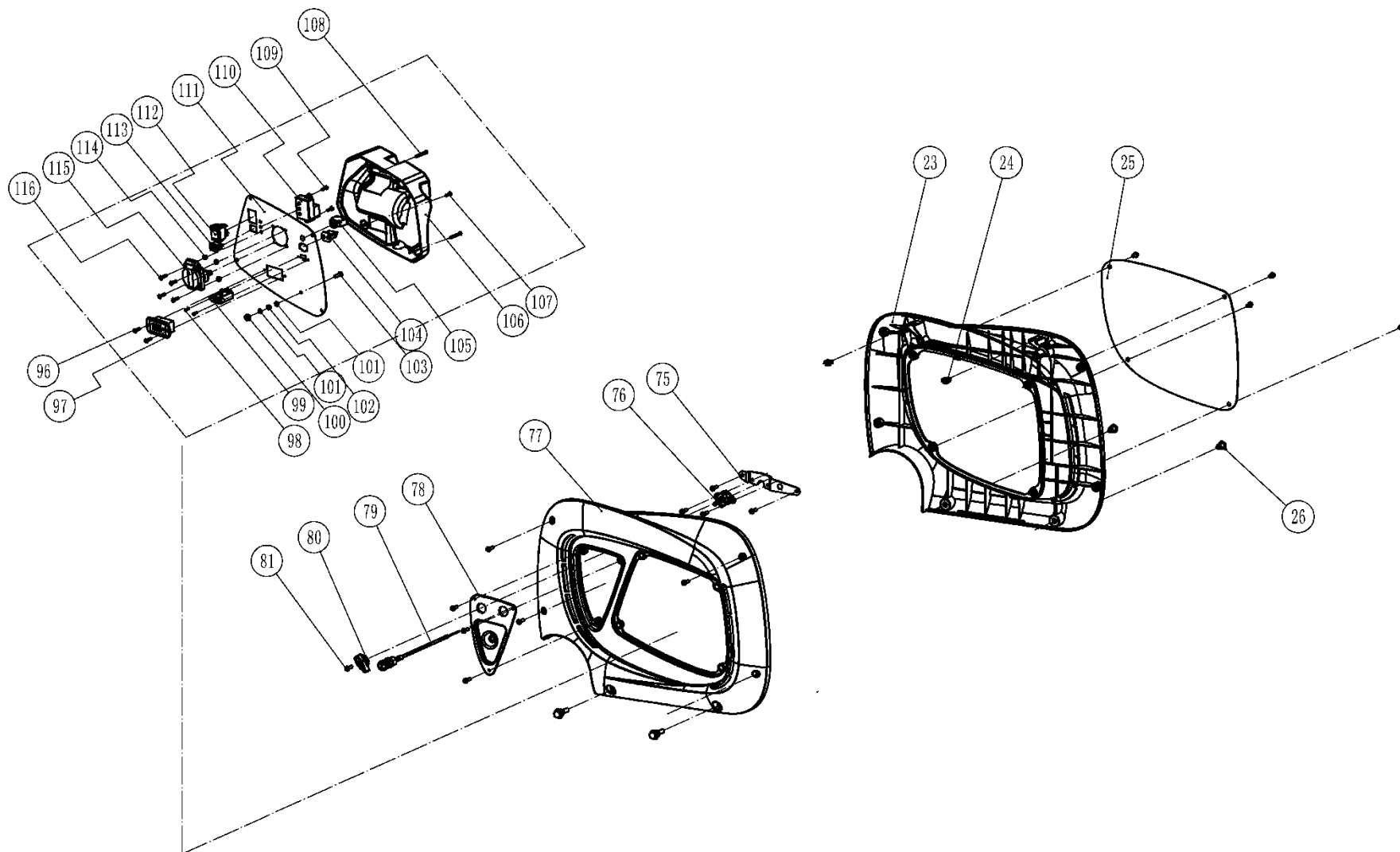
Engine, alternator, muffler and fuel tank

ESE 3000 I



Position	Artikel-Nummer	Bezeichnung	Menge	Einheit	Bemerkung
1	1006.070100.02	Fuel Tank Cap	1	St	
2	1006.200502.01	Spillway,Fuel Tank	1	St	
3	GB/T 9074.4 M5×20	Screw M5×20	6	St	
4	1403.200501.01	Cover, top	1	St	
5	1006.070301.01	Fuel Filter Assembly	1	St	
6	GB818 M6×12	Screw M6×12	4	St	
7	1403.071000.02	Fuel Tank	1	St	
8	360.070006.00	Inline Fuel Filter Assembly	1	St	
9	06-10.5*8	Clip (φ10.5×8)	1	St	
10	06-8.7*8	Clip (φ8.7×8)	3	St	
11	1403.070011.02	Fuel Pipe,Fuel Tank To Fuel Valve	1	St	
12	1403.070011.01	Fuel Pipe, Fuel Valve To Carburetor	1	St	
13	1006.100001.01	Gasket,Exhaust	1	St	
14	1006.081500.01	Muffler Protector Assembly,Lower	1	St	
15	1006.101100.01	Muffler Assembly	1	St	
16	GB/T 5789 M6×12	Flange Bolt M6×12	5	St	
17	GB/T 9074.4 M5×14	Screw/Washer Assembly M5×14	2	St	
18	1006.101503.02	Plate,Spark Arrester	1	St	
19	188.101300.00	Spark Arrester Assembly	1	St	
20	1006.100012.01	Nut M6	1	St	
21	1006.081400.01	Muffler Protector Assembly,Upper	1	St	
22	GB/T 845 ST4.2-16	Screw ST4.2×16	6	St	

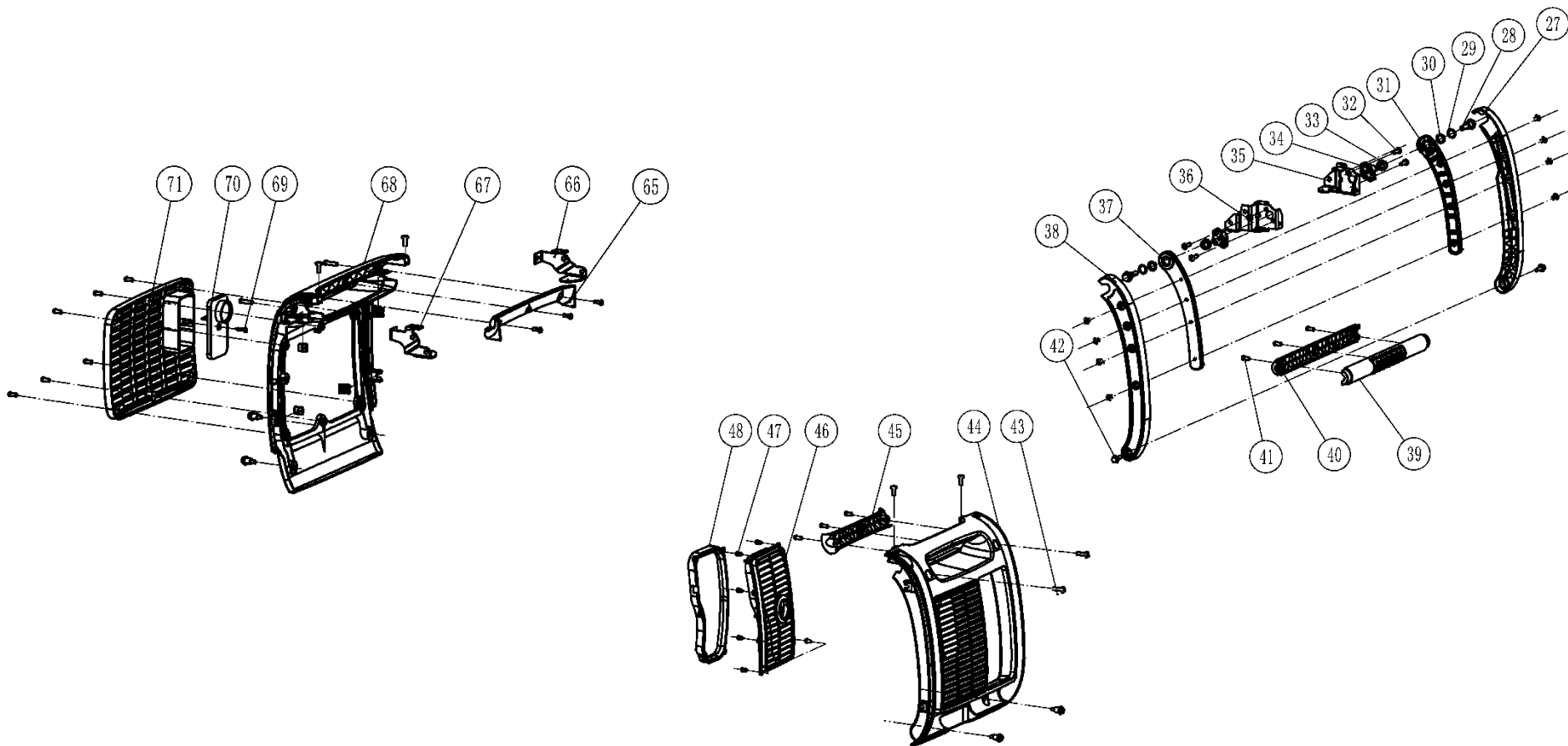
Position	Artikel-Nummer	Bezeichnung	Menge	Einheit	Bemerkung
49	1006.190006.00	Rubber Sleeve,End Cover	1	St	
50	GB8445 ST4.8×16	Screw ST4.8×16	1	St	
51	1006.190003.01	Generator End Cover	1	St	
52	GB/T 5789 M6×15	Flange Bolt M6×15	3	St	
53	1006.190001.01	Generator Fan	1	St	
54	160.050001.00	Nut M14	1	St	
55	1006.191100.01	Rotor Assembly	1	St	
56	GB/T 5789 M6×45	Flange Bolt M6×45	4	St	
57	1006.191200.05	Stator Assembly	1	St	
58	GB/T5789 M6×20	Flange Bolt M6×20	6	St	
59	1006.190002.01	Generator End Cover	1	St	
60	166FDE-C1	Engine	1	St	
61	GB/T 6177 M8	Flange Lock Nut M8	12	St	
62	1006.201600.02	Supporter,Left	1	St	
63	1006.201600.01	Supporter,Right	1	St	
64	1006.201200.01	Motor Mount	4	St	

Front housing, panel and rear housing**ESE 3000 I**

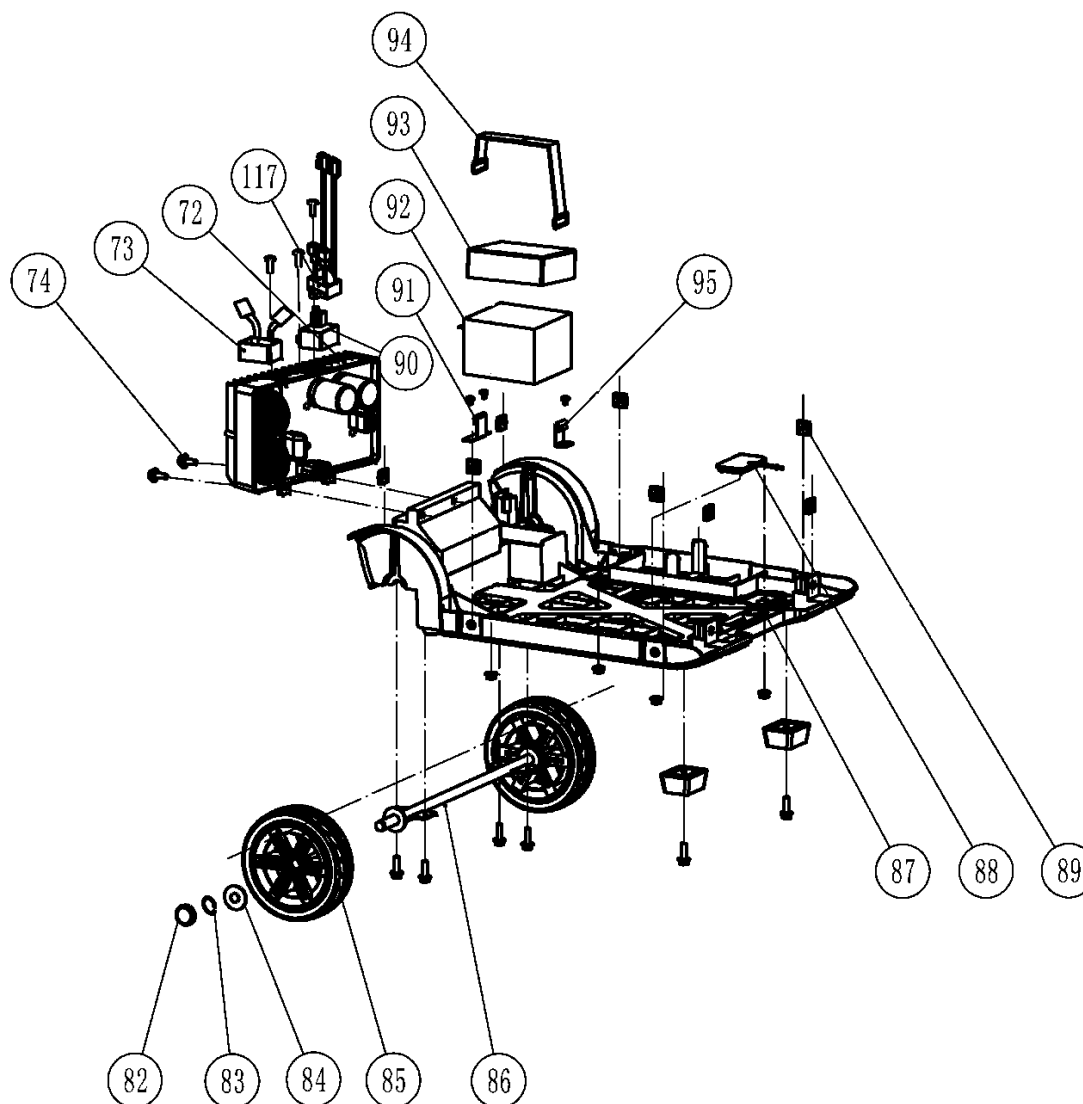
Position	Artikel-Nummer	Bezeichnung	Menge	Einheit	Bemerkung
23	1403.200401.01	Supporter,Rear Cover	1	St	
24	0902.200024.00	Cage Nut M5	12	St	
25	1403.200402.01	Protector ,Rear Cover	1	St	
26	0902.200028.00	Bolt M6×16	8	St	
75	1403.200111.01	Stents,Fuel Valve	1	St	
76	1006.070400.01	Fuel Valve	1	St	
77	1403.200101.01	Front Cover	1	St	
78	1403.061200.01	Guide,Rope	1	St	
79	1006.130200.00	Pull Chock Assembly	1	St	
80	1403.070001.01	Fuel Valve Knob	1	St	
81	GB/T 9074.8 M4×14	Screw/Washer Assembly M4×14	3	St	
96	GB/T 9074.8 M4×14	Screw/Washer Assembly M4×14	2	St	
97	28-03-06	Multi Meter	1	St	
98	GB818	Screw/Washer Assembly M3×10	2	St	
99	22-AJ-2	Receptacle USB	1	St	
100	GB/T 6177 M5	Nut M5	1	St	
101	GB/T 97.1-5	Washer φ5	2	St	
102	GB/T 6175-5	Nut M5	1	St	
103	GB/T 5783-5*16	Bolt M5×16	1	St	
104	22-AC-10	Receptacle DC 12V	1	St	
105	23-02-10A	D.C 10A Breaker,Push Button	1	St	
106	1403.210002.01	Control Box	1	St	
107	GB/T 9074.8 M5×14	Screw/Washer Assembly M5×14	1	St	
108	GB9074.1 M5×38	Screw/Washer Assembly M5×38	2	St	
109	GB/T 9074.8 M5×14	Screw/Washer Assembly M5×14	2	St	

Front housing, panel and rear housing**ESE 3000 I**

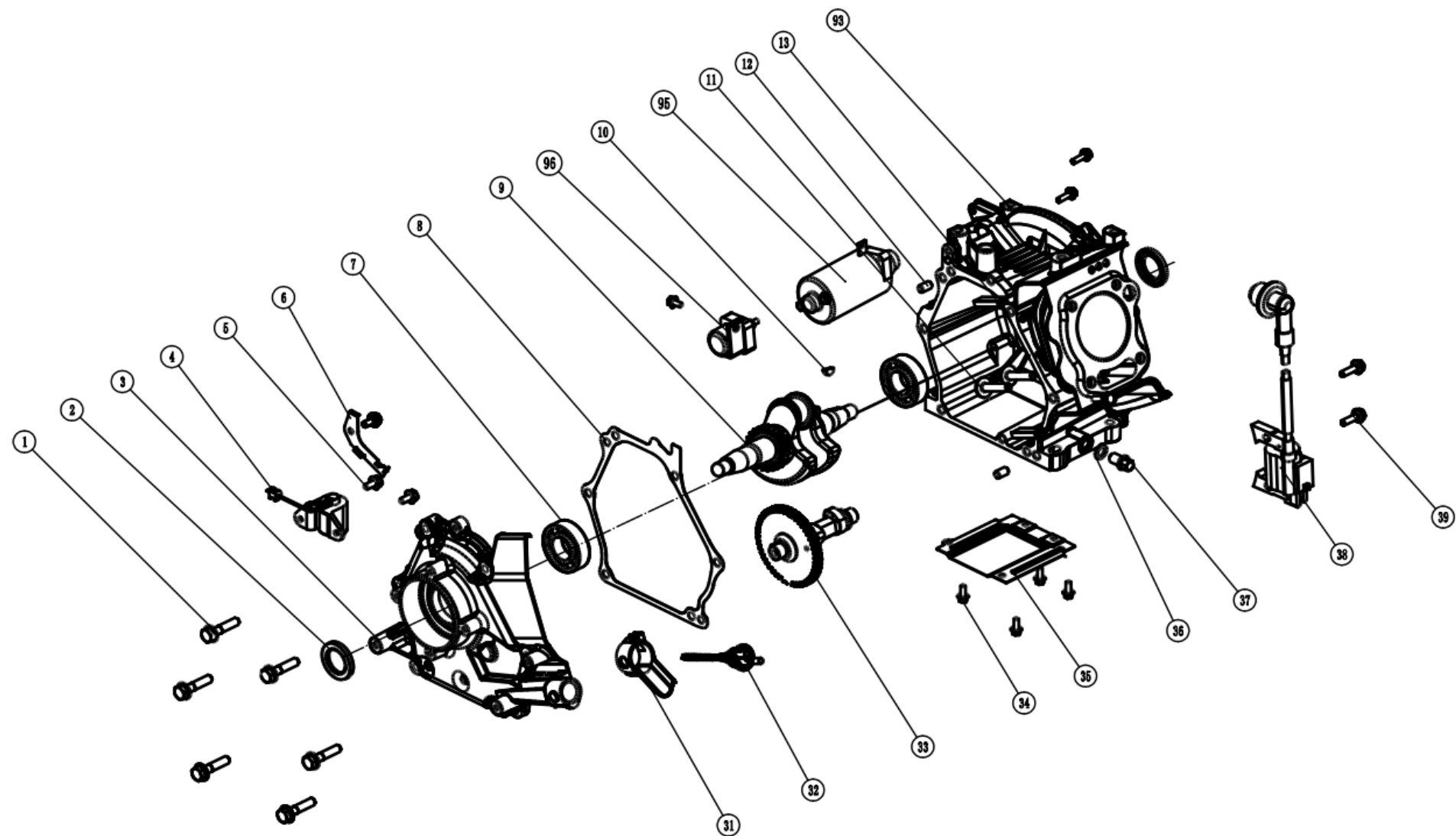
Position	Artikel-Nummer	Bezeichnung	Menge	Einheit	Bemerkung
110	1006.210016.01	Speed Limiter	1	St	
111	1006.210000.19	Control Panel	1	St	
112	21-02-03	Lgnition Switch	1	St	
113	21-03A-01.02	Switch,Economy	1	St	
114	GB/T 6177 M4	Nut M4	4	St	
115	22-N-16.GS	Receptacle European-style	1	St	
116	GB/T 819 M4×14	Screw M4×14	4	St	

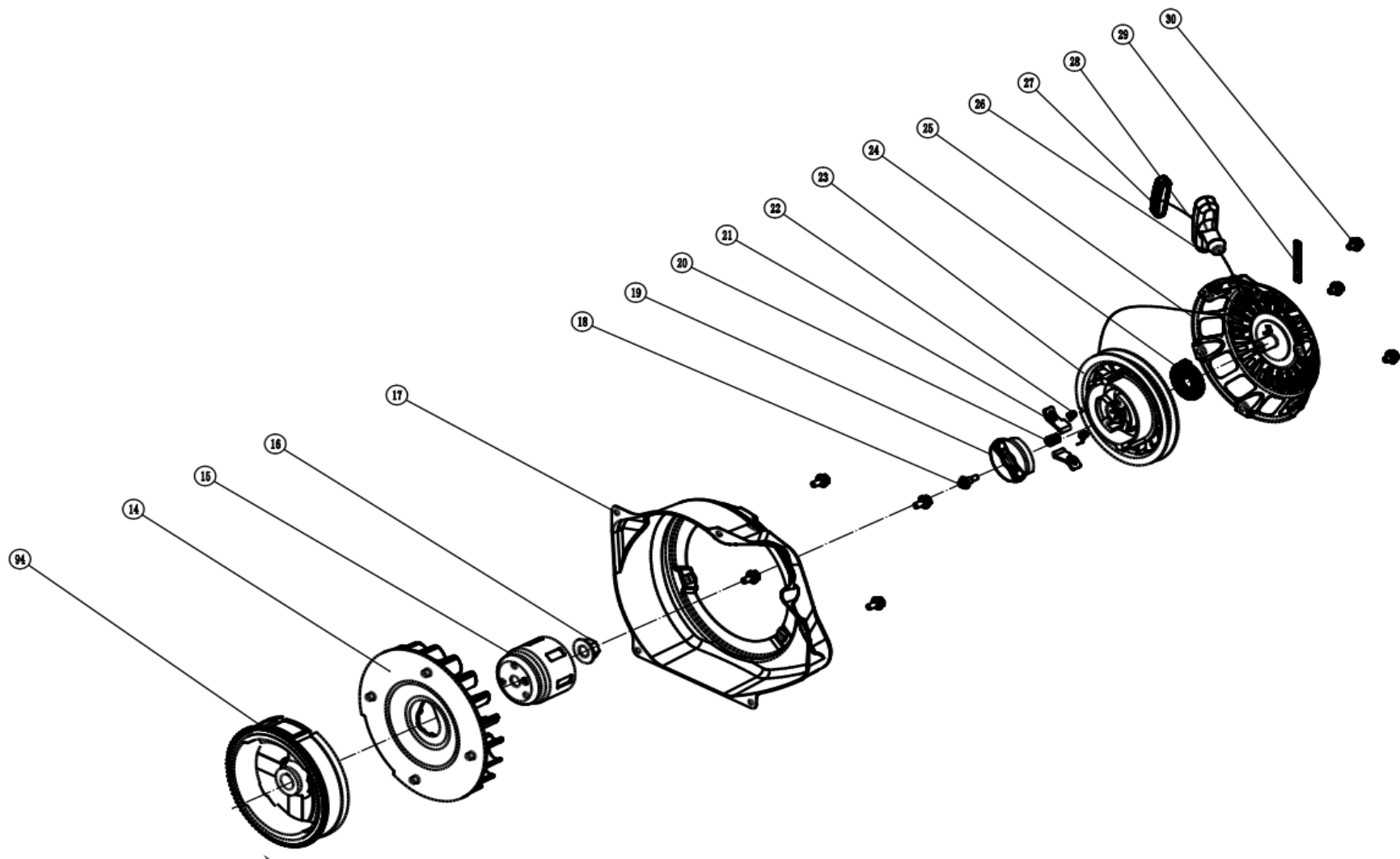


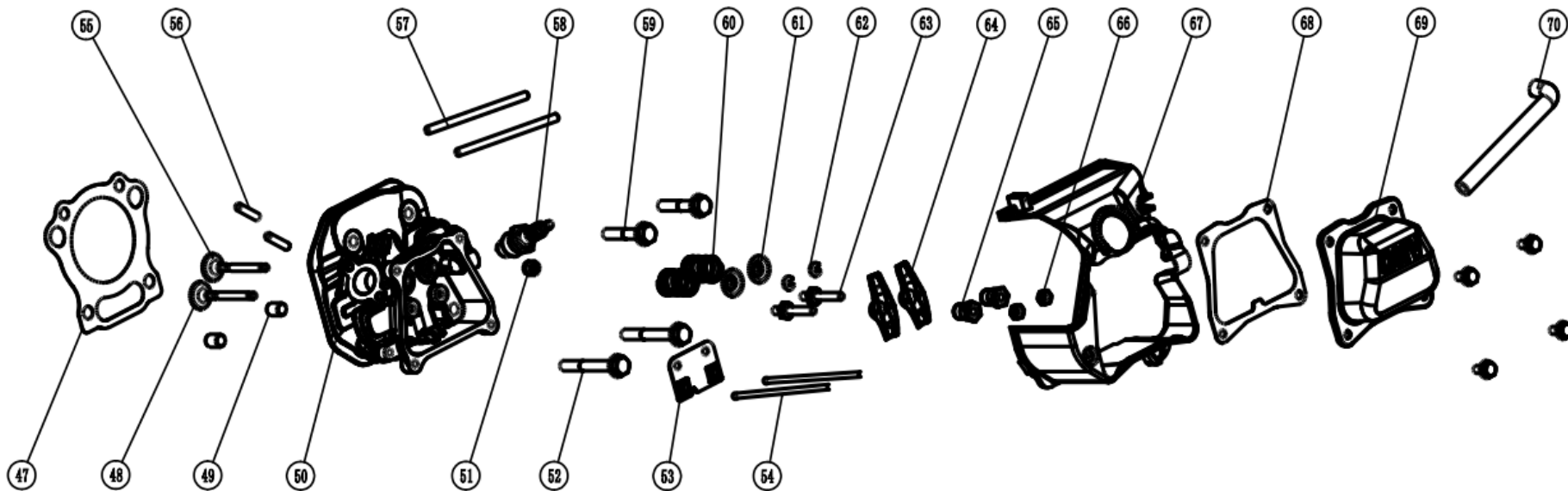
Position	Artikel-Nummer	Bezeichnung	Menge	Einheit	Bemerkung
27	1403.200701.04	Handle,Right	1	St	
28	08-8*16	Bolt M8×16	2	St	
29	03.013002.00	Washer($\phi 13 \times \phi 20 \times 2.5$)	2	St	
30	03.133001.00	Bushing($\phi 13.3 \times \phi 19.3 \times 2$)	2	St	
31	1403.200704.01	Bracket,Right	1	St	
32	GB/T 70-6×12	Bolt M6×12	4	St	
33	15.135001.00	Bushing($\phi 13.3 \times \phi 19.3 \times 8$)	2	St	
34	1403.200703.01	Pivot Bracket	2	St	
35	1403.201600.04	Supporter,Right	1	St	
36	1403.201600.03	Supporter,Left	1	St	
37	1403.200704.00	Bracket,Left	1	St	
38	1403.200701.03	Handle,Left	1	St	
39	1403.200705.01	Handle,Upper	1	St	
40	1403.200705.02	Handle,Lower	1	St	
41	GB9074.4 M5×14	Screw M5×14	40	St	
42	GB/T 5789 M6×35	Flange Bolt M6×35	2	St	
43	GB818 M6×20	Screw M6×20	4	St	
44	1403.200302.01	Cover, Right Side	1	St	
45	1403.200701.02	Handle,Right	1	St	
46	1403.200303.01	Cover,Right Muffler	1	St	
47	GB845 ST3.5-9.5	Screw ST3.5×9.5	6	St	
48	1403.200304.01	Rubber Seal Sleeve	1	St	
65	1403.200701.01	Handle,Left	1	St	
66	1403.201600.01	Supporter,Handle Left	1	St	
67	1403.201600.02	Supporter,Handle Right	1	St	
68	1403.200201.01	Cover, Left Side	1	St	
69	GB/T 845 ST4.8-13	Screw ST4.8×13	1	St	
70	1403.200204.01	Cover Plate,Left	1	St	
71	1403.200205.01	Maintenance Window	1	St	

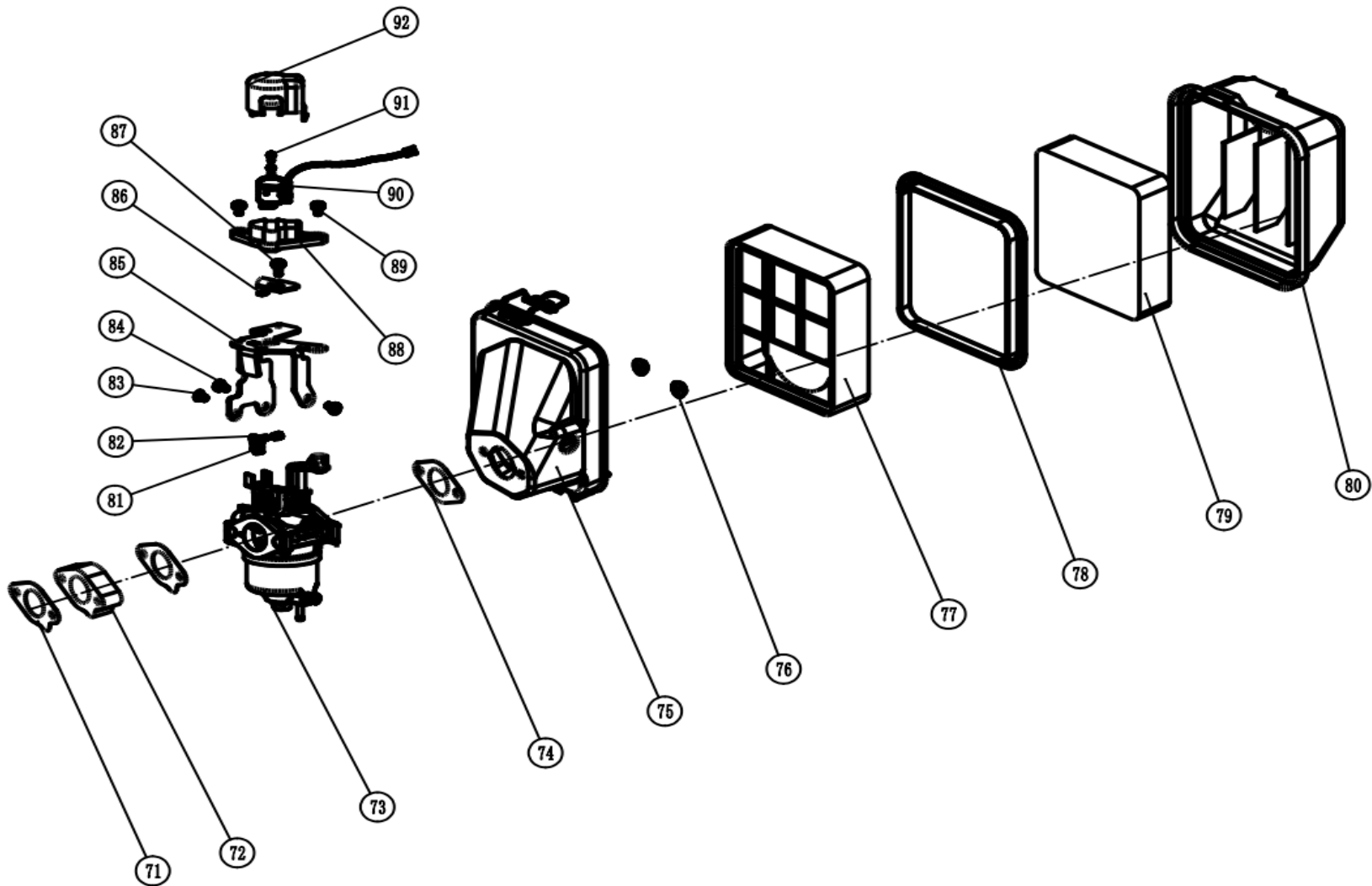


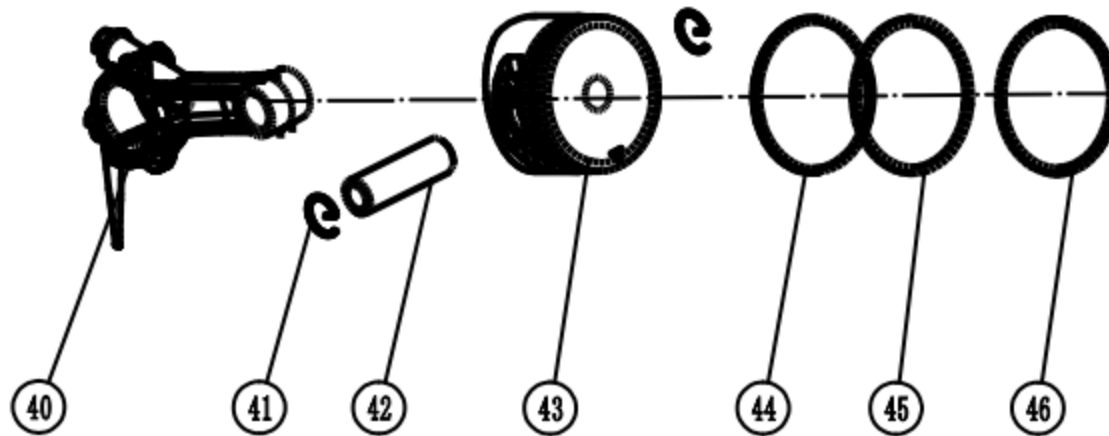
Position	Artikel-Nummer	Bezeichnung	Menge	Einheit	Bemerkung
72	1006.220000.02	Control Unit	1	St	
73	504.190600.01	Rectifier	1	St	
74	GB/T 5789 M6×25	Flange Bolt M6×25	2	St	
82	13-02-5.5-01	Plug,Wheel	2	St	
83	GB/T 894.1 12	Retaing Ring φ12	2	St	
84	GB/T 848 12	Washer φ12	2	St	
85	13-02-5.5	Wheel	2	St	
86	1403.201500.01	Axle	2	St	
87	1403.200601.01	Base Setting Component	1	St	
88	1006.200607.01	Plug	1	St	
89	02.006002.00	Lock Nut M6	8	St	
90	16-07-03	Charger	1	St	
91	1403.200901.03	Stents I,Battery	1	St	
92	30-01-5.5-2	Battery(5.5AH)	1	St	
93	1403.125202.02	Sheath,Battery	1	St	
94	1403.200904.02	Pinch,Rubbre	1	St	
95	1403.200901.04	Stents II,Battery	1	St	
117	16-17-01	Control Module(EMC)	1	St	











Position	Artikel-Nummer	Bezeichnung	Menge	Einheit	Bemerkung
1	GB5789 M8×35	Flange Bolt M8×35	6	St	
2	09-25* 40* 7	Oil Seal	2	St	
3	1006.030007.01	Cover,crankcase	1	St	
4	1006.127000.01	Oil Level Sensor	1	St	
5	GB5789 M6×12	Flange BOLT M6×12	12	St	
6	1006.030010.01	Plate, Coil	1	St	
7	GB/T 276 6205	Bearing 6205	2	St	
8	1006.030008.01	Gasket,Crankcase Cover	1	St	
9	1006.050100.01	Crankshaft	1	St	
10	02-4* 6.5* 15	Woodruff key(4×6.5×16)	1	St	
11	1006.040013.01	Lifter,Valve	2	St	
12	04-8* 14	Locating Pins	2	St	
13	1006.030013.01	Seal Strip,Crankcase COVER	2	St	
14	1006.080001.01	Cooling Fan	1	St	
15	1006.060001.01	Pulley,Starter	1	St	
16	160.050001.00	Nut M14	1	St	
17	1006.080100.01	Fan cover	1	St	
23	160.061001.01	Recoil Starter complete	1	St	
30	GB5789 M6×8	Flange Bolt M6×8	3	St	
31	1006.030035.01	Oil Nipple	1	St	
32	1006.031000.01	Oil Dipstick Assembly	1	St	
33	1006.040101.02	Camshafe Comp	1	St	
34	GB9074.4 M5×10	SCREW/Washer Assembly M5×10	1	St	
35	1006.080014.01	Air Guide Board	1	St	
36	1006.030003.01	Bolt, Drain	1	St	
37	1006.123000.01	Ignition Coil	1	St	

38	GB5789 M6×20	Flange Bolt M6×20	4	St	
39	1006.050200.01	Connecting Rod	1	St	
40	1006.050002.01	Circlip	2	St	
41	1006.050003.01	Piston Pin	1	St	
42	1006.050005.02	Piston	1	St	
43~46	1006.050301.02	Piston ring ASSY.	1	St	
43		Ring Coil		St	
44		Ring ,Second Piston		St	
45		Ring ,First Piston		St	
46		Ring ,three Piston		St	
47	1006.030009.01	Gasket, Cylinder Head	1	St	
48	1006.040006.01	Valve,Exhaust	1	St	
49	04-10* 14	Locating Pins	2	St	
50	1006.010100.00	Cylinder Head	1	St	
51	1006.040017.01	Oil Seal,Valve	1	St	
52	GB5789 M8×65	Flange Bolt M8×65	2	St	
53	1006.040004.01	Guide Plate,Push Rod	1	St	
54	1006.040005.01	Push Rod	2	St	
55	1006.040002.01	Valve,Intake	1	St	
56	152.010002.00	Stud Bolt(M6×32)	2	St	
57	154.010001.01	Stud Bolt(M6×97)	2	St	
58	F6RTC	Spark Plug(F6RTC)	1	St	
59	GB5789 M8×45	Flange Bolt M8×45	2	St	
60	1006.040003.01	Spring,Valve	2	St	
61	1006.040001.01	Retainer,Valve Spring	2	St	
62	1006.040014.01	Valve Collet	2	St	
63	1006.040010.01	Bolt,Rocker Arm	2	St	

64	1006.040009.01	Rocker Arm ,Valve	2	St	
65	160.040020.00	Adjusting Nut,Valve	2	St	
66	160.040021.00	Lock Nut	2	St	
67	1006.080200.01	Air Shroud,Cylinder	1	St	
68	1006.021001.01	Gasket,Cylinder Head Cover	1	St	
69	1006.021000.01	Cylinder Head Cover Assembly	1	St	
70	0910.020001.30	Breather Tube	1	St	
71	1006.130002.01	Gasket,Insulator	2	St	
72	1006.130001.01	Insulator,Carburetor	1	St	
73	1006.131000.01	Carburetor,Assembly	1	St	
74	1006.130004.01	Gasket, Air Cleaner	1	St	
75	1403.091100.02	Base,Air Cleaner	1	St	
76	GB6177.1 M6	Nut M6	2	St	
77	1403.091001.01	Clapboard	1	St	
78	1403.091002.01	Sealing Ring	1	St	
79	1403.091003.01	Element,Air Cleaner	1	St	
80	1403.091200.01	Cover,Air Cleaner	1	St	
81	0910.130008.00	Connector,Throttle Valve Axis	1	St	
82	0902.130010.00	Spring,Connector	1	St	
83	GB819 M5×10	Screw M5×10	1	St	
84	GB9074.3 M5×10	SCREW/Washer Assembly M5×10	2	St	
85	1006.130005.01	Support,Stepper Motor	1	St	
86	0902.130007.00	Clamp Board,Choke Control Line	1	St	
87	GB9074.3 M5×12	SCREW/Washer Assembly M5×12	1	St	
88	0910.132100.00	Stepper Motor Base	1	St	
89	GB9074.1 M5×8	SCREW/Washer Assembly M4×8	2	St	
90	0902.132200.00	Stepper Motor ,Throttle Valve	1	St	

91	GB9074.4 M3x6	Screw M3x6	2	St	
92	0902.132001.00	Cover,Stepper Motor	1	St	
93	1006.030100.02	Crankcase	1	St	
94	1006.120100.02	Flywheel	1	St	
95	1006.125000.01	Starter Motor	1	St	
96	1006.125200.01	Relay,Starter	1	St	