

MBERG 2.0 48V LED WORK LIGHT

Low voltage LED work light for rough use at construction site. The light-weight and robust 48V MBerg® lights are connected behind a 48V Valmu lighting transformer and together they form a very safe and reliable lighting system. System is reliable because no-one can take power to any other tool from the lighting line and thus disturb the line.

The connection of the MBerg light to the trunk line from the transformer is usually done with flat connectors or Winsta connectors.

The heart of the MBerg light is a LED module whose components are small and light, so they do not tear off or break as a result of a severe impact. The luminaire has a strong and good hanging hook from which the luminaire can be hung. The light can also be attached through handle holes.

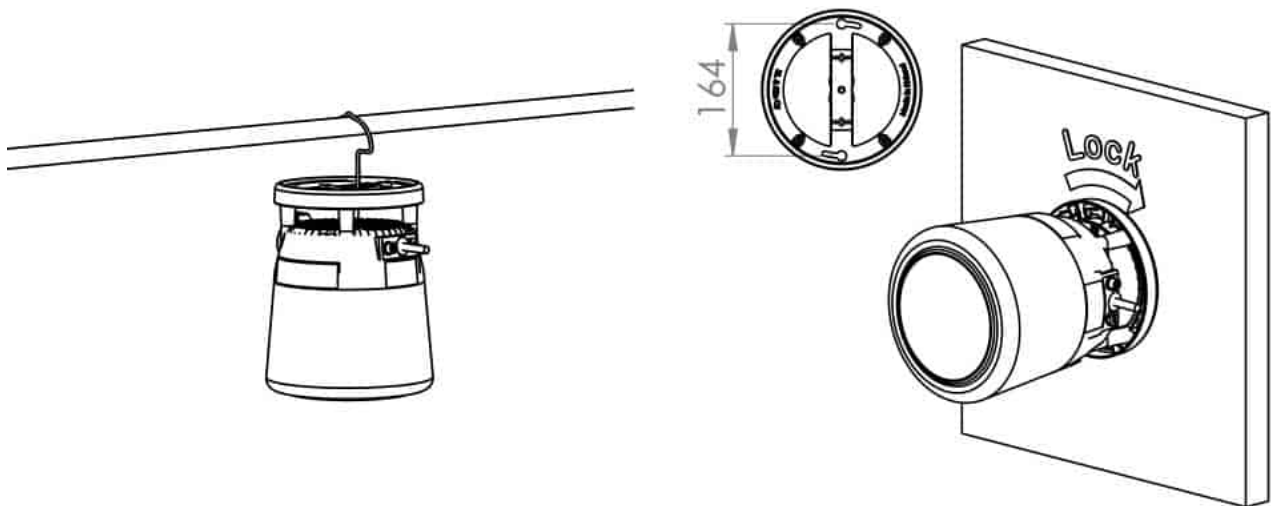
Standard colors are blue and orange. Also available in the customer's own colors.



TECHNICAL ATTRIBUTES

Voltage	48 VAC	Connection cable	1,5m 2x1 mm ² H05RN-F
Power	21 W	Weight	0,7 kg
Light source	LED-module	IP-rating	IP54
Light output	2000 lm	Service life	50 000 h
Väriämpötila	5000 K	Warranty (years)	2 år

DIAGRAM IMAGES



OTHER PRODUCT IMAGES

