

SUBCABINET TAK 32A

32 A cabinet with foldable stainless steel leg, made of powder-coated and corrosion-resistant 2 mm aluminum. The outlets are behind a lockable door, which makes the cabinet well suited for the initial stage construction site. Robust construction that withstands hard handling.

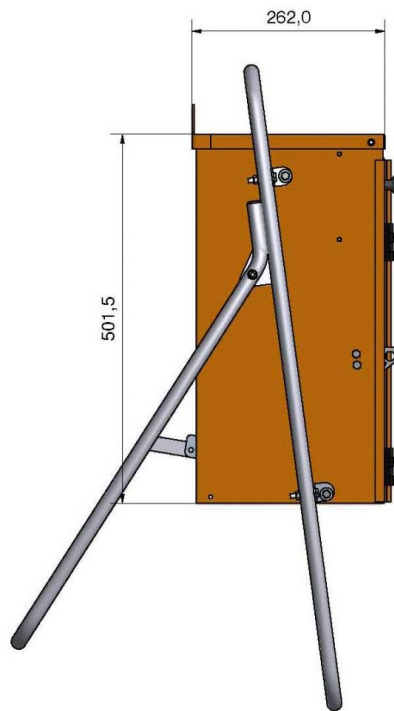
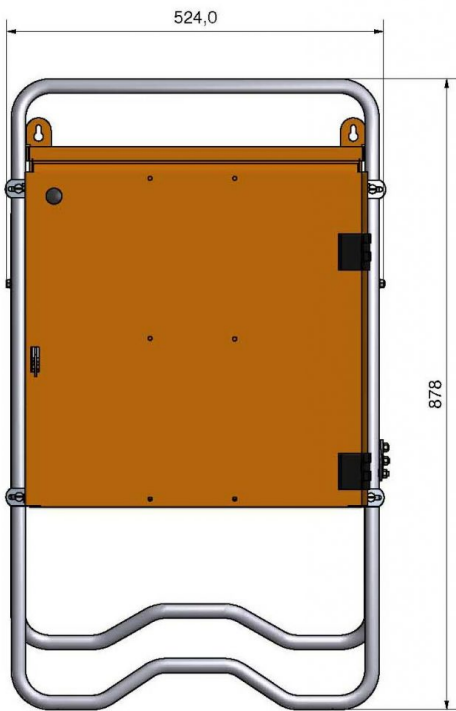
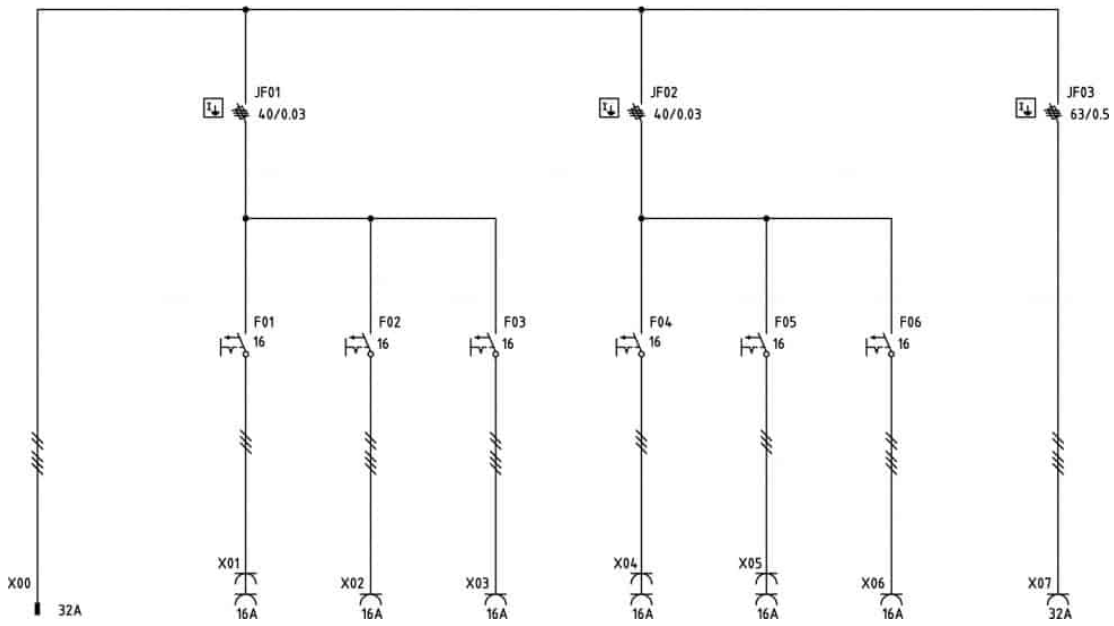
SKU: S19114



TECHNICAL ATTRIBUTES

Nominal Current	32 A	Measurements (H x W x L)	876 x 524 x 262 mm
Nominal voltage	400 V (50 Hz)	Enclosure class	IP44
Socket outlets	6 x 16A (230V), 3 x 16A, 1 x 32A	Model	U32/631-21 FI
Oikosulkukestavyys	Icf = 17 kA	Ordering number	S19114
Weight	16 kg	Approvals	CE

DIAGRAM IMAGES



OTHER PRODUCT IMAGES

