

SUB CABINET TAK 63 A KS

63 A cabinet with fixed input cable connection with foldable stainless steel leg, made of powder-coated and corrosion-resistant 2 mm aluminum. The outlets are behind a lockable door so the cabinet is well suited for the initial stage construction site. Robust construction that withstands hard handling.

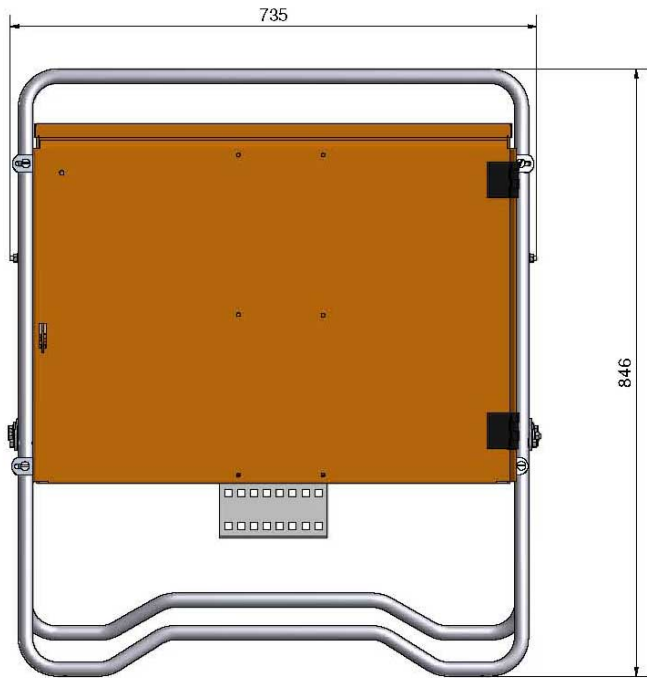
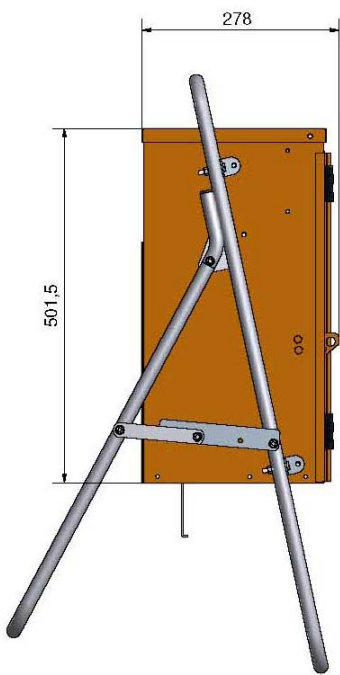
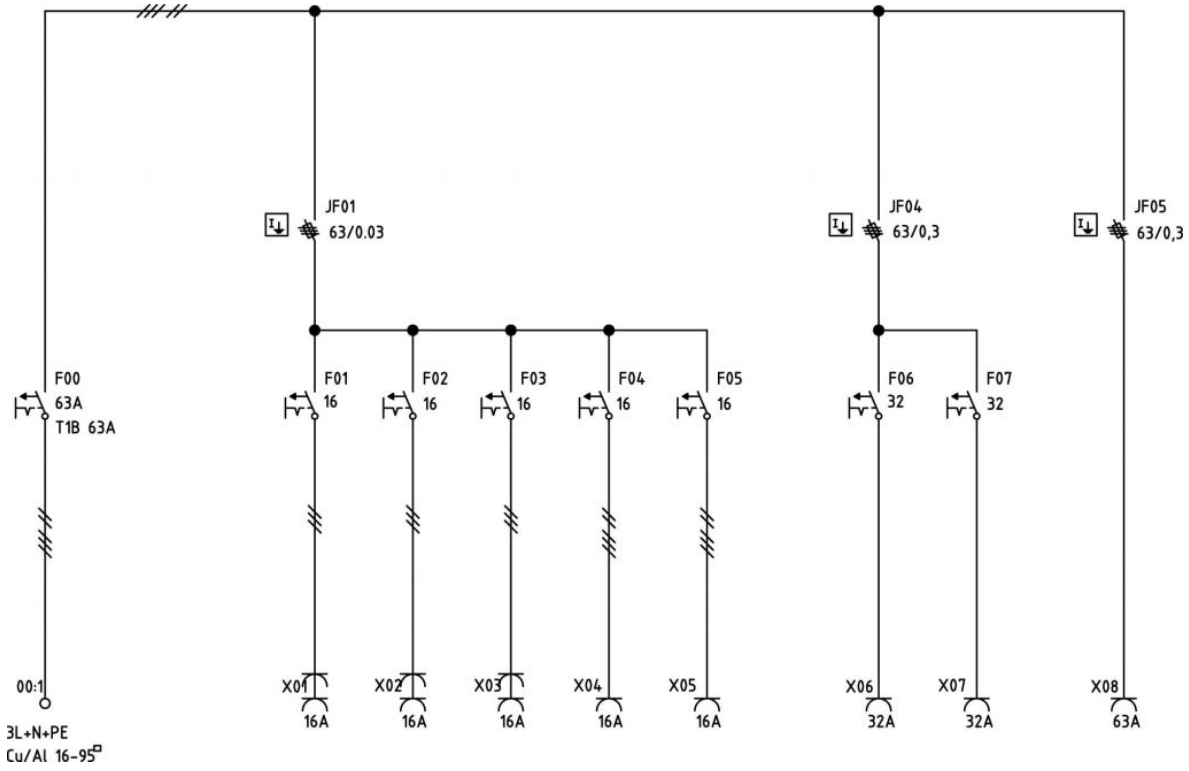
SKU: S19209



TECHNICAL ATTRIBUTES

Nominal Current	63 A	Weight	25 kg
Nominal voltage	400 V (50 Hz)	Dimensions (H x W x D)	843 x 735 x 278 mm
Size of the input cable	6-95	Enclosure class	IP44
Socket outlets	6 x 16A (230V), 2 x 16A, 2 x 32A, 1 x 63A	Model	SF63/6221-12
RCD	30 mA ja 300 mA	Ordering number	S19209
Oikosulkukestavyys	Icf = 17 kA	Approvals	CE

DIAGRAM IMAGES



OTHER PRODUCT IMAGES

